
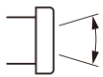
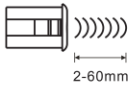

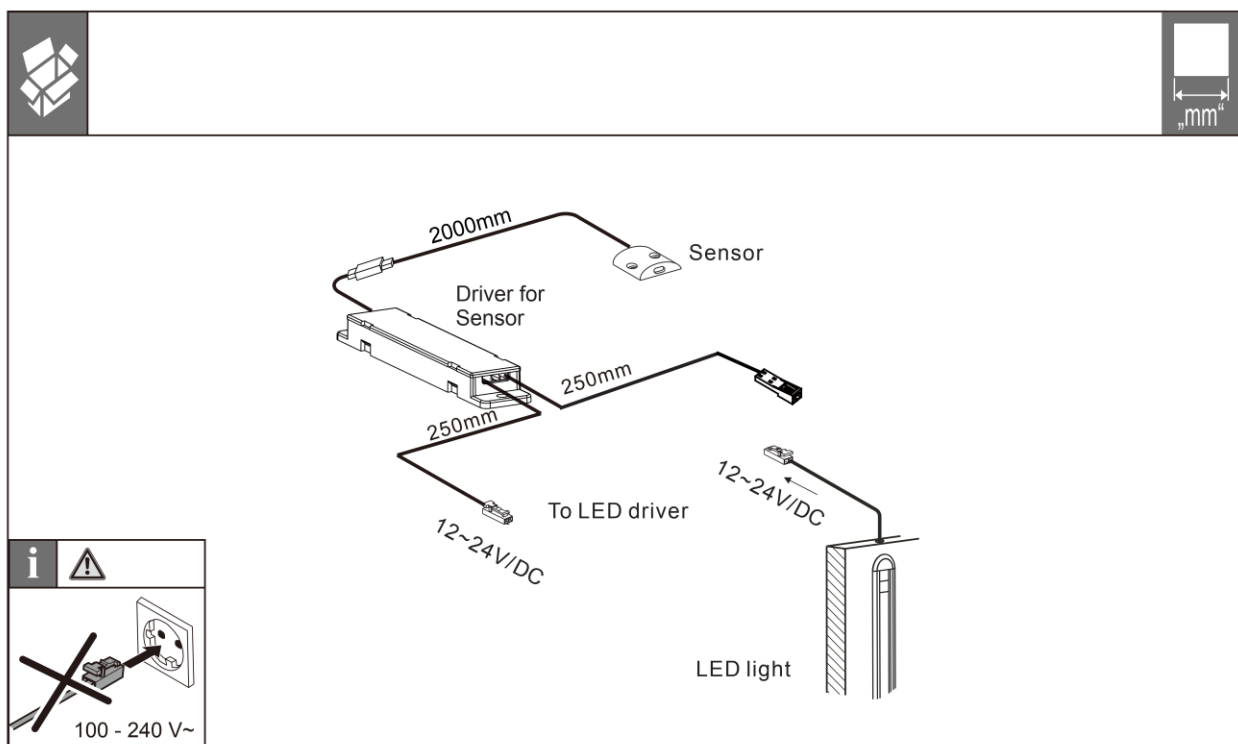
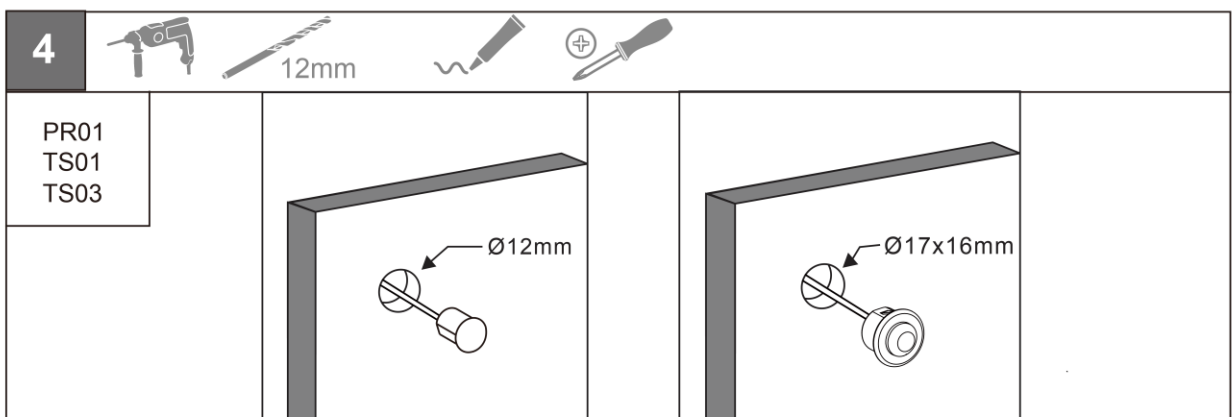
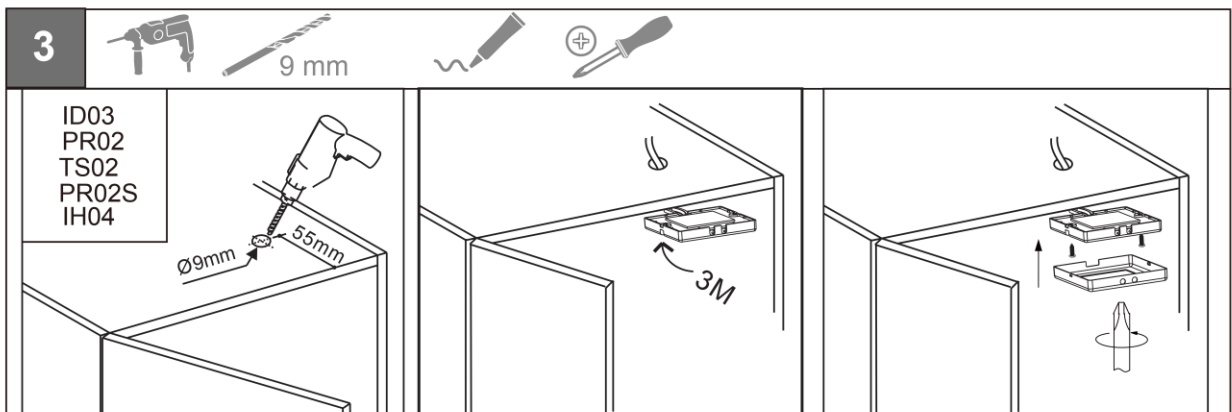
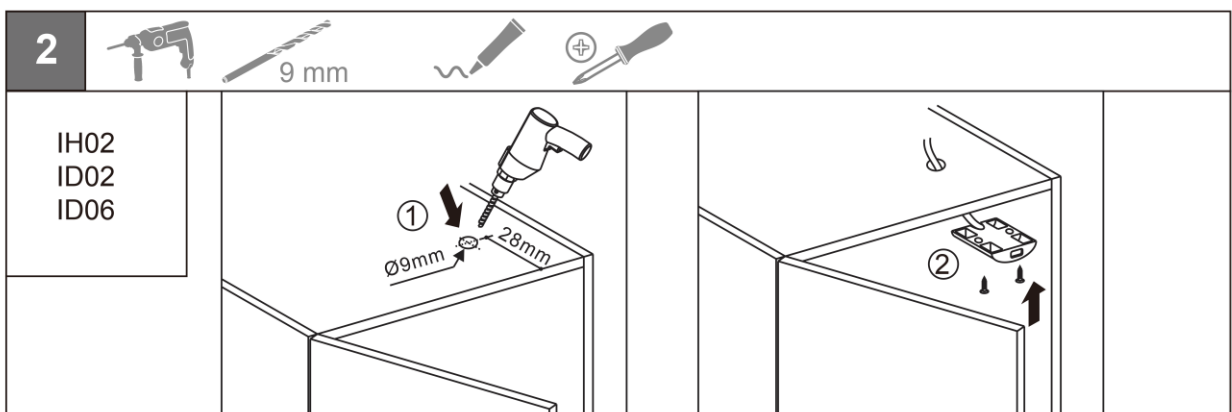
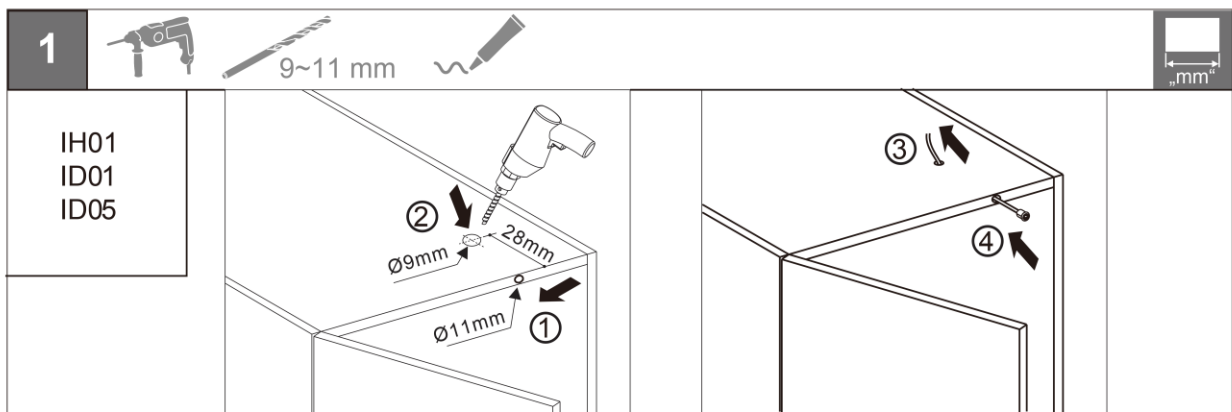


Model			T_A	W
IH01	Ø 15 x 12		-20 °C – +35 °C -4 °F – +95 °F	30 W ~ 60W
IH02	30 x 23 x7.5			
IH03	Ø 50 x8			
IH04	50 x 50 x7.5			
ID01	Ø 15 x 12			
ID02	30 x 23 x7.5			
ID03	50 x 50 x7.5			
ID05	Ø 15 x 12			
ID06	30 x 23 x7.5			
PR01	Ø 21 x 18			
PR02	Ø 55 x 8			
PR02S	Ø 55 x 8			
TS01	Ø 15 x 25		-10 °C – +45 °C 14 °F – +113 °F	
TS02	50 x 50 x7.5			
TS03	Ø 15 x 25			





Attention: the tension of wire from all sensor is under 3.5KG