



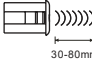
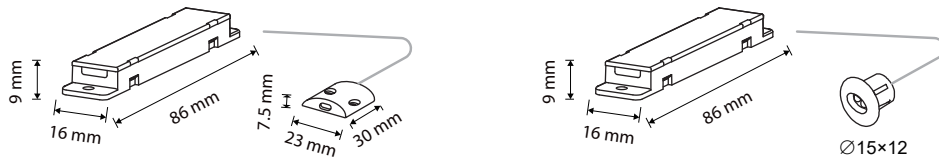


Operating Instruction of Sensor Switches

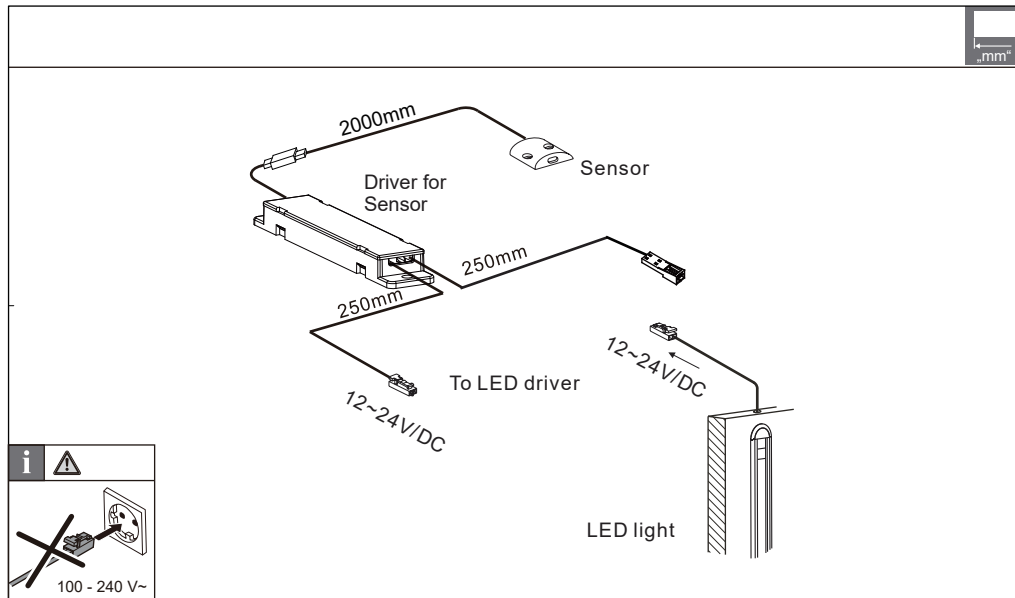
Specification

Model			T _A		W
IH01	∅15×12		-20°C~+35°C -4°F~+95°F	2.5/5A	60 W ~ 120W
IH02	30×23×7.5				
ID01	∅15×12				
ID02	30×23×7.5				
ID05	∅15×12				
ID06	30×23×7.5				

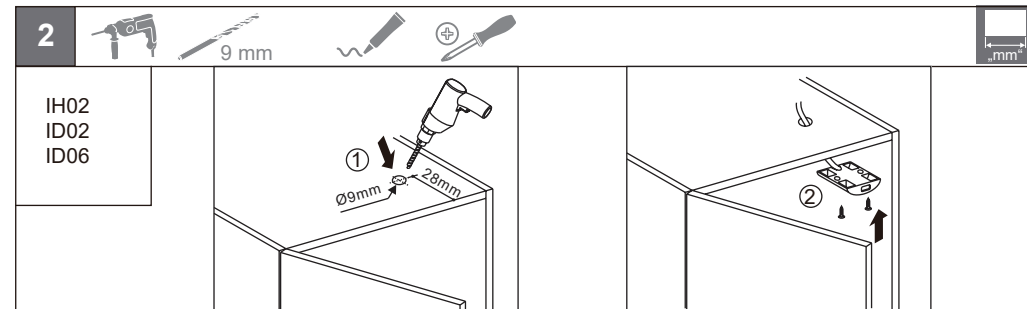
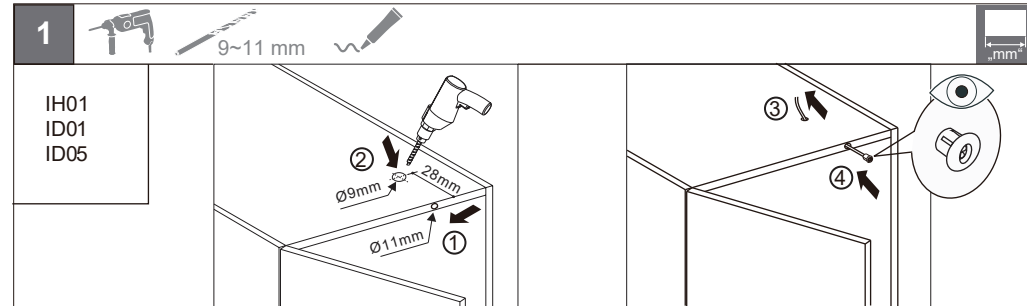
1.Dimension



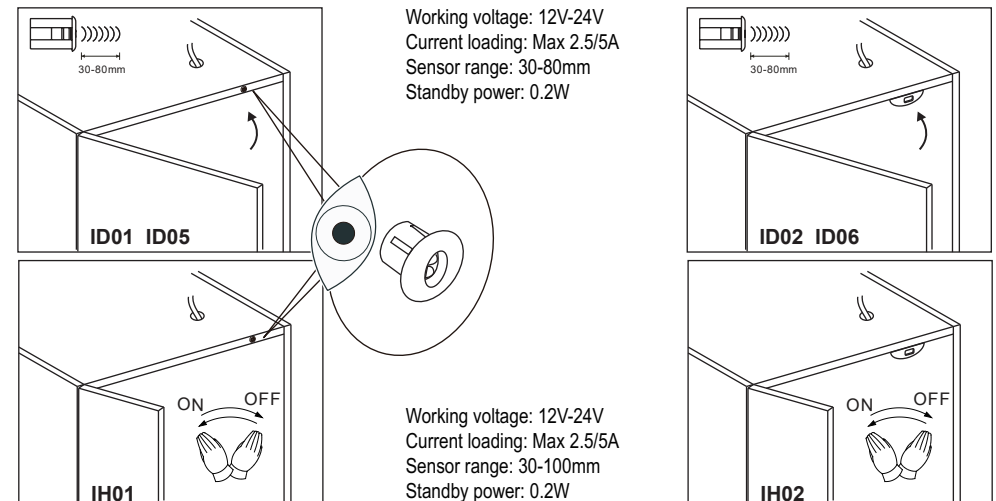
2.How To Connect



3.Installation



4.Operating Instruction



Attention: the tension of wire from all sensor is under 3.5KG